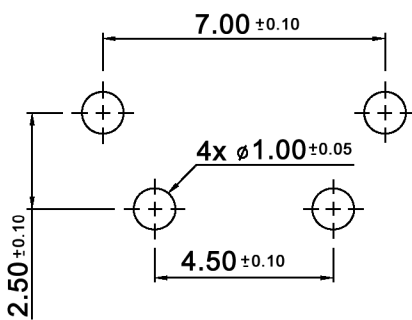
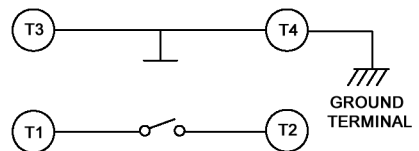


| x | Length (mm) |
|----|-------------|
| 1 | 3.15 |
| 2 | 3.85 |
| 3 | 5.85 |
| 44 | 6.15 |
| 48 | 6.15 |
| 5 | 8.35 |
| 6 | 11.85 |

P.C.B. LAYOUT



CIRCUIT DIAGRAM



Compliance: RohS III (2015/863/EU)

| Tolerances: ±0.20mm max. | | Date | Name |
|--------------------------|-------|------|------|
| Contact rating | 04/20 | dr | |
| Contact rating | 10/17 | dr | |
| Operating force | 09/17 | dr | |
| Rename | 03/16 | dr | |
| Rename | 09/15 | dr | |
| Revised | 12/10 | dr | |
| Modifications | Date | Name | |

TS 6x y-RA

30 20 80

Page

1/2

Specifications:

Contact rating: 50mA, 12V DC; min. 10µA, 1V DC
Contact resistance: 100mOhm max.
Insulation resistance: 100MOhm min. at 500V DC for 1 minute +/-5sec.
Dielectric strength: 250V AC (50/60Hz) for 1 minute
Operating temperature: -40°C to +85°C
Storage temperature: -40°C to +85°C
Soldering conditions: 260 +/-3°C, 5 +/-1sec.; pre-heat max. 100°C, max. 60sec.
Travel: 0.25 +0.2/-0.1 mm
Material: Cover: steel, 2.5µm min. tin plated
 Stem: thermoplastic nylon UL94V-0
 Contact: phosphor bronze, silver cladding
 Terminal: brass, silver plated
 Base: thermoplastic nylon UL94V-0, molded black

| y | Operating force (gf) | Colour of stem | Electrical life |
|---|----------------------|----------------|-----------------|
| U | 70 +/-30 | blue | 200 000 cycles |
| K | 100 +/-50 | black | 200 000 cycles |
| N | 160 +/-50 | brown | 200 000 cycles |
| R | 260 +/-50 | red | 100 000 cycles |
| S | 320 +/-80 | salmon | 50 000 cycles |
| Y | 520 +/-130 | yellow | 50 000 cycles |

Compliance: RohS III (2015/863/EU)

| | | | | | |
|--------------------------|-------|------|-----------------------|------|-------------------|
| Tolerances: ±0.20mm max. | | | Date | Name | TS 6x y-RA |
| | | | 04/10 | dr | |
| Contact rating | 04/20 | dr | | | |
| Contact rating | 10/17 | dr | | | |
| Operating force | 09/17 | dr | | | |
| Rename | 03/16 | dr | knitter-switch | | 30 20 80 |
| Rename | 09/15 | dr | | | |
| Revised | 12/10 | dr | | | |
| Modifications | Date | Name | | | Page 2/2 |